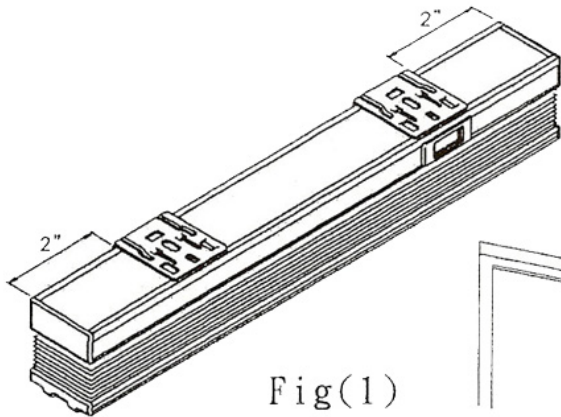
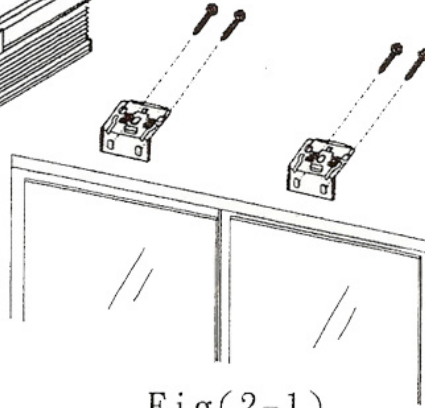


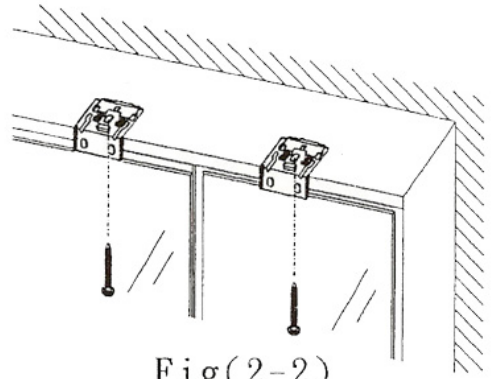
# POLARIS™ CELLULAR SHADE INSTALLATION INSTRUCTIONS



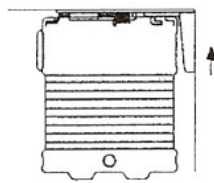
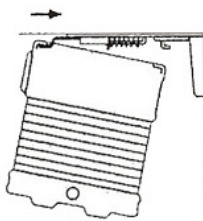
Fig(1)



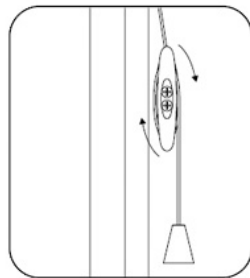
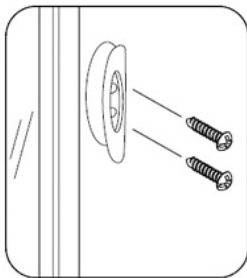
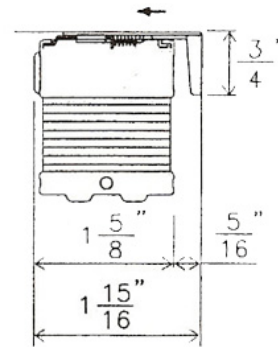
Fig(2-1)



Fig(2-2)



Fig(3)



## !IMPORTANT NOTE:

Always tie the cord to cord cleat after shade is raised or lowered for safety reasons.

Please allow 24 hours for your shade to drop to its actual height when first installed due to the nature of the fabric.