

REGULAR CUSTOM CELLULAR SHADE SPECIFICATION

- Manufacturer:** HT Window Fashions™, City of Industry, California USA
- Fabric:** Cellular shade is made of spun lace, non-woven fabric. 100% polyester. Fabrics are available in single cell light filtering and single cell room darkening.
- Head Rail:** Standard head rail is made of aluminum. Head rail dimension is 3/4" high by 1-5/8" deep. Total depth with installation bracket is 2". Head rail end caps are made of PVC.
- Bottom Rail:** Standard bottom rail is made of aluminum. Bottom rail dimension is 1/2" high by 1-5/8" deep. Bottom rail end caps are made of PVC.
- Cord Lock:** Cord lock shall be secured to the head rail channel. Lock body shall be constructed of clear polycarbonate, floating gear and lock pins shall be made of brass. Cord lock to be of crash-proof design.
- Cord cleat:** Clear cleat is made of 100% PVC. Screws are included.
- Lift Cord:** Shall be braided polyester and of sufficient length to control the raising and lowering of the shade. Outside diameter is 0.9mm.
- Pull Cord:** Shall be braided polyester and of sufficient length to control the raising and lowering of the blind. Outside diameter is 1.8mm.
- Tassel:** 100% PVC. Shall comply with all safety requirements.
- Stop Ball:** 100% PVC. Shall comply with all safety requirements.
- Installation Bracket:** Constructed of cold rolled steel. Zinc plated. Hex head screws are included.
- Fire Safety:** Regular cellular shade fabric is not fire retardant. Fire retardant fabric is available upon request.

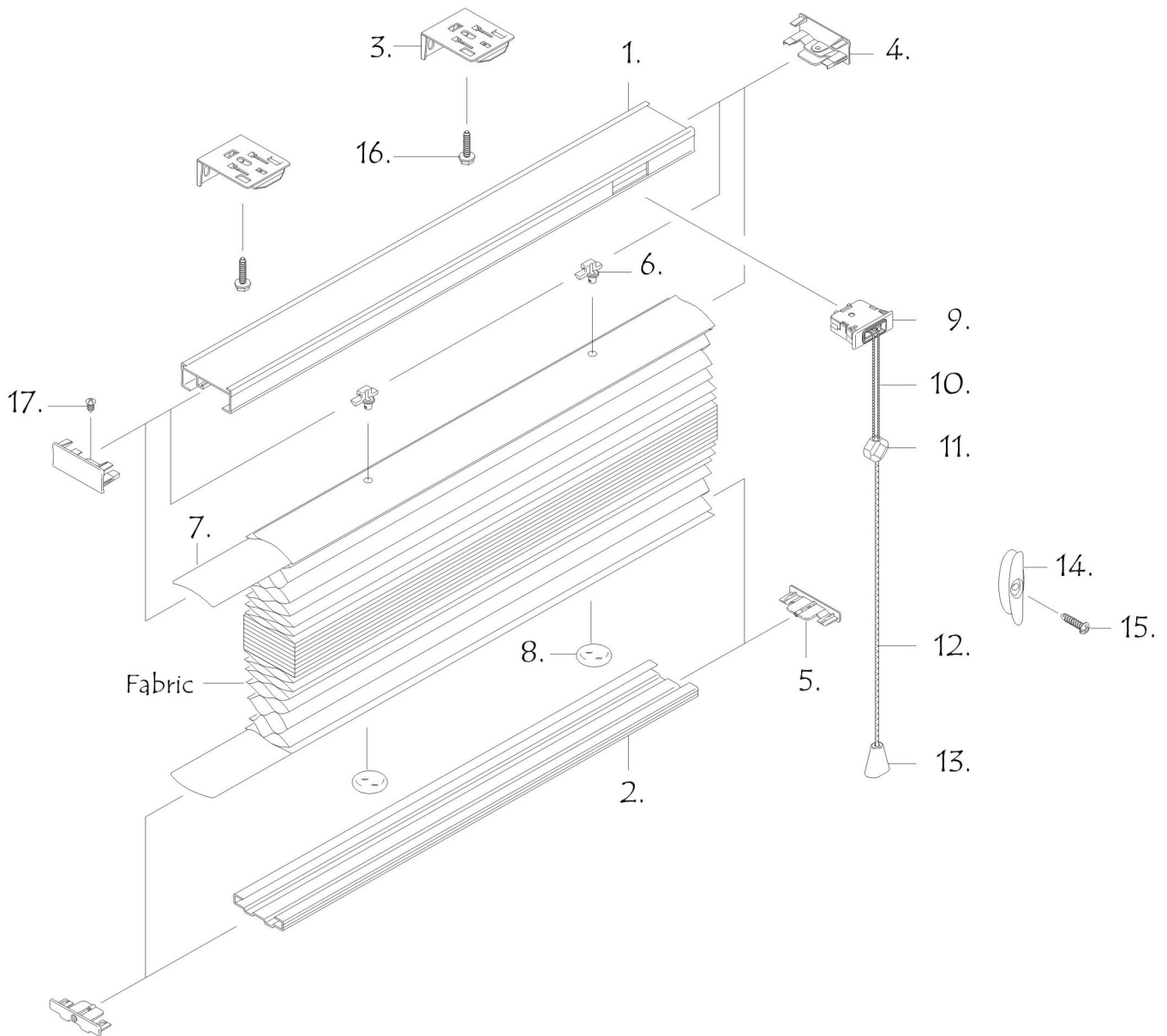
For detailed information, please contact HT custom service.

770 South Epperson Drive, City of Industry, CA 91748

Phone: (626) 839-8866 (800) 879-9512

Fax: (626) 839-8861

POLARIS™ Cellular Shades - Exploded View



1	PLP200	Alu. Rail PL ₂ (W= 1") (12'/pc) (Colored)	5	PLP204	Bottom Rail End Cap PL ₂ (Colored)
	PLP300	Alu. Rail PL ₃ (W= 1-1/2") (12'/pc) (Colored)		PLP304	Bottom Rail End Cap PL ₃ (Colored)
	PLP400	Alu. Rail PL ₄ (W= 1-3/4") (12'/pc) (Colored)		PLP404	Bottom Rail End Cap PL ₄ (Colored)
2	PLP201	Alu. Bottom Rail PL ₂ (W = 1") (12'/pc) (Colored)	6	PLP205	Cord Guide PL ₂
	PLP301	Alu. Bottom Rail PL ₃ (W = 1-1/2") (12'/pc) (Colored)		PLP305	Cord Guide PL ₃
	PLP401	Alu. Bottom Rail PL ₄ (W = 1-3/4") (12'/pc) (Colored)		PLP405	Cord Guide PL ₄
3	PLP202	Mounting Bracket PL ₂ (Zinc Plated)	7	PLP207	Rail Insert in Coil PL ₂ (Trans.)
	PLP302	Mounting Bracket PL ₃ (Zinc Plated)		PLP307	Rail Insert in Coil PL ₃ (Trans.)
	PLP402	Mounting Bracket PL ₄ (Zinc Plated)		PLP407	Rail Insert in Coil PL ₄ (Trans.)
4	PLP203	Rail End Cap PL ₂ (Colored)			
	PLP303	Rail End Cap PL ₃ (Colored)			
	PLP403	Rail End Cap PL ₄ (Colored)			
8	PLP106	Plastic Washer PL ₁	13	PBP106	Tassel M ₁ (Colored)
9	PLP100	Cord Lock PL ₁ (Colored)	14	PLP103	Cord Cleat PL ₁ (Trans.)
10	PLP105	Cord PL ₁ (O.D.= 0.9mm)(Colored)	15	2232112	Screw for Cord Cleat (Zinc Plated)
11	PLP102	Stop Ball PL ₁ (Colored)	16	2233022	Screw for Mounting Bracket (Zinc Plated)
12	VBP187	Pulling Cord T ₁ (O.D.= 1.8mm) (Colored)	17	2240210	Screw for Rail End Cap (Zinc Plated)